



Report

US \$44.99

2024 Kia Niro SX

40,200 mi
VIN: KNDCT3LE4R5131560
4 Door Wagon/Sport Utility
1.6L I4 F DOHC 16V
Hybrid
Front wheel drive

CARFAX HAS THE MOST
ACCIDENT & DAMAGE
INFORMATION



accidentMinor Damage



Minor
Moderate
Severe

carfax value\$24,350



2 Service History
Records



At Least 1 Open
Recall



CARFAX 1-Owner
Vehicle



Personal Vehicle



Last Owned in
Washington

This CARFAX Vehicle History Report is based only on information supplied to CARFAX and available as of 4/21/26 at 3:06:21 AM (CDT). Other information about this vehicle, including problems, may not have been reported to CARFAX. Use this report as one important tool, along with a vehicle inspection and test drive, to make a better decision about your next used car.



Accident / Damage History

Not all accidents / issues are reported to CARFAX

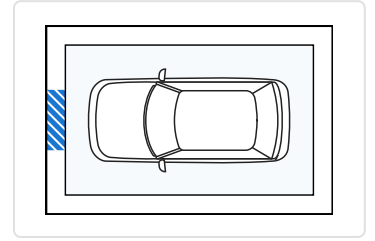
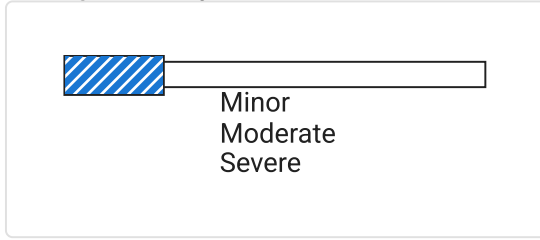
Event 1

01/15/2026

Accident reported: minor damage with another motor vehicle

- Airbags did not deploy

Damage Severity Scale



History-Based Value Report

\$24,350

CARFAX Retail Value

History events affecting this vehicle's value

- 1-Owner Vehicle
- Personal Vehicle
- Open Recall
- Minor Damage



Additional History

Not all accidents / issues are reported to CARFAX

Owner 1

<p>Total Loss No total loss reported to CARFAX.</p>	<p><input checked="" type="checkbox"/> No Issues Reported</p>
<p>Structural Damage CARFAX recommends that you have this vehicle inspected by a collision repair specialist.</p>	<p><input checked="" type="checkbox"/> No Issues Reported</p>
<p>Airbag Deployment No airbag deployment reported to CARFAX.</p>	<p><input checked="" type="checkbox"/> No Issues Reported</p>
<p>Odometer Check No indication of an odometer rollback.</p>	<p><input checked="" type="checkbox"/> No Issues Indicated</p>
<p>Accident / Damage Accident reported: 01/15/2026.</p>	<p>Minor Damage</p>
<p>Manufacturer Recall At least 1 open recall reported.</p>	<p>Recall Reported</p>
<p>Basic Warranty Original warranty estimated to have 33 months or 19,800 miles remaining. Confirm with dealer or vehicle manufacturer.</p>	<p><input checked="" type="checkbox"/> Warranty Active</p>



Title History

CARFAX guarantees the information in this section

Owner 1

Damage Brands

Salvage | Junk | Rebuilt | Fire | Flood | Hail | Lemon

✓ **Guaranteed**
No Problem

Odometer Brands

Not Actual Mileage | Exceeds Mechanical Limits

✓ **Guaranteed**
No Problem



GUARANTEED - None of these title problems were reported by a U.S. state Department of Motor Vehicles (DMV). If you find that any of these title problems were reported by a DMV and not included in this report, you may qualify.
[View Terms](#) | [View Certificate](#)



Ownership History

The number of owners is estimated

Owner 1

Year purchased

2024

Type of owner

Personal

Estimated length of ownership

2 yrs. 3 mo.

Owned in the following states/provinces

Washington

Estimated miles driven per year

Last reported odometer reading

40,200



Detailed History



Owner 1

Purchased: 2024

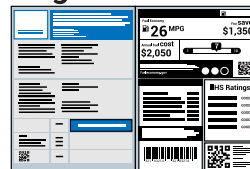
Personal Vehicle

Date	Mileage	Source	Comments
------	---------	--------	----------

Not Reported

Kia Motors America, Inc.

Original Window Sticker



10/04/2023 6

Chuck Olson Chevrolet
Shoreline, WA
206-546-4171
chuckolsonchev.com/

Vehicle offered for sale

★ 4.7 / 5.0
106 Verified Reviews
❤️ 4 Customer Favorites

10/17/2023 11

Chuck Olson Chevrolet
Shoreline, WA
206-546-4171



Vehicle serviced

- Pre-delivery inspection completed

chuckolsonchev.com/

★ 4.7 / 5.0

106 Verified Reviews

♥ 4 Customer Favorites

01/11/2024

Washington
Motor Vehicle Dept.
Seattle, WA
Title #1878683315

Title issued or updated

- First owner reported
- Titled or registered as personal vehicle
- Loan or lien reported

11/29/2024

40,200

Go Kia Renton
Renton, WA
425-277-4228
gokiarenton.com/



Vehicle serviced

★ 4.4 / 5.0

65 Verified Reviews

♥ 4,131 Customer Favorites

12/17/2024

Washington
Motor Vehicle Dept.
Seattle, WA
Title #1878683315

Registration issued or renewed

- Loan or lien reported

01/17/2025

Kia Motors America, Inc.

Manufacturer Safety Recall issued

- NHTSA #25V024
- Recall #SC332 FLOOR WIRING ASSY INSPECTION/REROUTE
- Status: Remedy Available

Locate an authorized Kia dealer near you to schedule an appointment

[+ Learn more about this recall](#)

12/19/2025

Washington
Motor Vehicle Dept.
Seattle, WA
Title #1878683315

Registration issued or renewed

- Loan or lien reported
- Registration updated when owner moved the vehicle to a new location

Avoid financial headaches. Make sure the loan has been paid off if you're buying from a private seller. [Learn More](#)

01/15/2026

Damage Report

Accident reported: minor damage with another motor vehicle

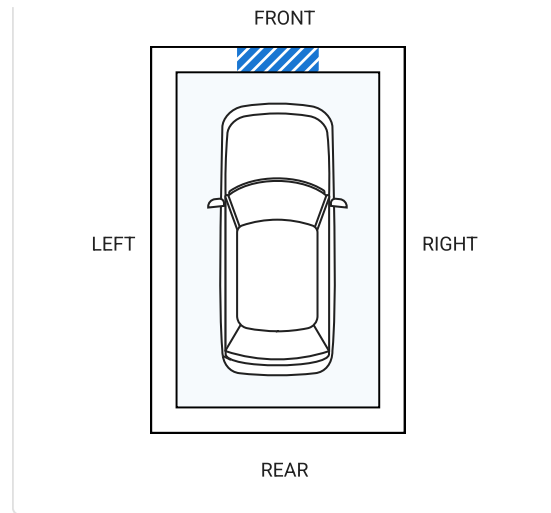
- Damage to front
- Airbags did not deploy

Damage Severity Scale



Minor
Moderate
Severe

Damage Location



CARFAX HAS THE MOST ACCIDENT & DAMAGE INFORMATION

Minor damage is usually cosmetic, including dents or scratches to the vehicle body.

Have Questions? Consumers, please visit our Help Center at www.carfax.com. Dealers or Subscribers, please visit our Help Center at www.carfaxonline.com.



Glossary

Accident Indicator

CARFAX receives information about accidents in all 50 states, the District of Columbia and Canada.

Not every accident is reported to CARFAX. As details about the accident become available, those additional details are added to the CARFAX Vehicle History Report. CARFAX recommends that you have this vehicle inspected by a qualified mechanic.

- According to the National Safety Council, Injury Facts, 2021 edition, 5% of the 276 million registered vehicles in the U.S. were involved in an accident in 2019. Over 77% of these were considered minor or moderate.
- This CARFAX Vehicle History Report is based only on information supplied to CARFAX and available as of 4/21/26 at 3:06:21 AM (CDT). Other information about this vehicle, including problems, may not have been reported to CARFAX. Use this report as one important tool, along with a vehicle inspection and test drive, to make a better decision about your next used car.

Damage Severity

Damage events result in one of the following severity levels:

- Minor: Generally, minor damage is cosmetic (including dents or scratches), may only require reconditioning, and typically does not compromise a vehicle's operation and/or safety.
- Moderate: Moderate damage may affect multiple components of the vehicle and may impair the vehicle's operation and/or safety.
- Severe: Severe damage usually affects multiple components of the vehicle and is likely to compromise the vehicle's operation and/or safety.

CARFAX recommends getting a pre-purchase inspection at a certified collision repair facility.

First Owner

When the first owner(s) obtains a title from a Department of Motor Vehicles as proof of ownership.

Manufacturer Recall

Automobile manufacturers issue recall notices to inform vehicle owners of a safety defect or failure to meet minimum federal safety or emissions standards. Manufacturer recalls are repaired at no cost to the customer.

Ownership History

CARFAX defines an owner as an individual or business that possesses and uses a vehicle. Not all title transactions represent changes in ownership. To provide estimated number of owners, CARFAX proprietary technology analyzes all the events in a vehicle history. Estimated ownership is available for vehicles manufactured after 1991 and titled solely in the US including Puerto Rico. Dealers sometimes opt to take ownership of a vehicle and are required to in the following states: Maine, Massachusetts, New Jersey, Ohio, Oklahoma, Pennsylvania and South Dakota. Please consider this as you review a vehicle's estimated ownership history.

Title Issued

A state issues a title to provide a vehicle owner with proof of ownership. Each title has a unique number. Each title or registration record on a CARFAX report does not necessarily indicate a change in ownership. In Canada, a registration and bill of sale are used as proof of ownership.

Full Glossary

Follow Us:  facebook.com/CARFAX  [@CARFAXinc](https://twitter.com/CARFAXinc)  [About CARFAX](#)

CARFAX DEPENDS ON ITS SOURCES FOR THE ACCURACY AND RELIABILITY OF ITS INFORMATION. THEREFORE, NO RESPONSIBILITY IS ASSUMED BY CARFAX OR ITS AGENTS FOR ERRORS OR OMISSIONS IN THIS REPORT. CARFAX FURTHER EXPRESSLY DISCLAIMS ALL WARRANTIES, EXPRESS OR IMPLIED, INCLUDING ANY IMPLIED WARRANTIES OF MERCHANTABILITY OR FITNESS FOR A PARTICULAR PURPOSE.

© 2026 CARFAX, Inc., part of S&P Global. All rights reserved.
4/21/26 3:06:21 AM (CDT)

I have reviewed and received a copy of the CARFAX Vehicle History Report for this 2024 KIA NIRO vehicle (VIN: KNDCT3LE4R5131560), which is based on information supplied to CARFAX and available as of 4/21/26 at 4:06 AM (EDT).

Customer Signature

Date

Dealer Signature

Date