



Report

US \$44.99

2021 BMW X3 Xdrive30I

103,206 mi | VIN: 5UXTY5C06M9F13030 |

4 Door Wagon/Sport Utility | 2.0L I4 | Gasoline | All wheel drive

CARFAX HAS THE MOST ACCIDENT & DAMAGE INFORMATION



BRANDED TITLE

Salvage

CARFAX VALUE \$12,710

9 Service History Records

At Least 1 Open Recall

3 Previous Owners

Types of Owners: Rental, Personal

Last Owned in Kentucky

This CARFAX Vehicle History Report is based only on information supplied to CARFAX and available as of 5/22/26 at 4:12:07 AM (CDT). Other information about this vehicle, including problems, may not have been reported to CARFAX. Use this report as one important tool, along with a vehicle inspection and test drive, to make a better decision about your next used car.



Accident / Damage History

Not all accidents / issues are reported to CARFAX

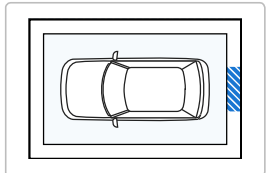
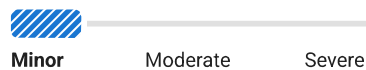
Event 1

07/16/2024

Accident reported: minor damage

- Vehicle involved in a rear-end collision
- It hit a moveable object with another motor vehicle
- Functional damage reported
- Airbags did not deploy

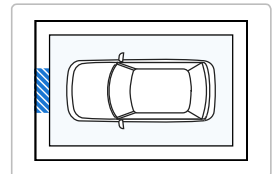
Damage Severity Scale



Event 2

05/15/2026

TOTAL LOSS VEHICLE



Recent Service Highlights

Key services performed in the last 12 months

Service	Comments	Date
---------	----------	------

Oil	✓ Oil and filter changed	07/09/2025
Tires	✓ Four tires replaced	06/10/2025
This car has been recently serviced. That's a good thing!		

CARFAX History-Based Value Report

<p>\$12,710 CARFAX Retail Value</p>	<p>History events affecting this vehicle's value</p> <ul style="list-style-type: none"> Service History Salvage Brand Open Recall Non-Personal Vehicle
--	---




CARFAX Additional History <small>Not all accidents / issues are reported to CARFAX</small>	Owner 1	Owner 2	Owner 3
Total Loss Total Loss Reported: 05/15/2026.	✓ No Issues Reported	✓ No Issues Reported	Total Loss Reported
Structural Damage CARFAX recommends that you have this vehicle inspected by a collision repair specialist.	✓ No Issues Reported	✓ No Issues Reported	✓ No Issues Reported
Airbag Deployment No airbag deployment reported to CARFAX.	✓ No Issues Reported	✓ No Issues Reported	✓ No Issues Reported
Odometer Check No indication of an odometer rollback.	✓ No Issues Indicated	✓ No Issues Indicated	✓ No Issues Indicated
Accident / Damage DMV title problems reported. Accident reported: 07/16/2024. Damage reported: 05/15/2026.	✓ No Issues Reported	Accident Reported	Severe Damage
Manufacturer Recall At least 1 manufacturer recall requires service. Locate an authorized BMW dealer near you to schedule an appointment.	✓ No Recalls Reported	✓ No Recalls Reported	Recall Reported
Basic Warranty Original manufacturer warranty likely voided by manufacturer.	✓ Warranty Active	✓ Warranty Active	Warranty Voided

CARFAX Title History	Owner 1	Owner 2	Owner 3
Damage Brands Salvage Junk Rebuilt Fire Flood Hail Lemon	No Problem	No Problem	Alert! Problem Found
Odometer Brands Not Actual Mileage Exceeds Mechanical Limits	No Problem	No Problem	No Problem

ALERT! - Severe problems were reported by a state Department of Motor Vehicles (DMV). This vehicle does not qualify for the CARFAX Buyback Guarantee.

Ownership History The number of owners is estimated	Owner 1	Owner 2	Owner 3
Year purchased	2020	2024	2025
Type of owner	Rental	Personal	Personal
Estimated length of ownership	3 years	1 yr. 2 mo.	8 months
Owned in the following states/provinces	See Details	South Carolina	Kentucky
Estimated miles driven per year	20,154/yr	--	--
Last reported odometer reading	61,306	82,423	103,206

Detailed History			
Owner 1 Purchased: 2020			Rental Vehicle 20,154 mi/yr
Date	Mileage	Source	Comments
12/02/2020	8	Inspection Station	Exempt from emissions inspection
12/15/2020		Oklahoma Motor Vehicle Dept. Tulsa, OK	Titled or registered as rental vehicle
12/15/2020	10	Pennsylvania Motor Vehicle Dept. Title #8269892101 EA	Title issued or updated - First owner reported
11/24/2021		Pennsylvania Motor Vehicle Dept. Tulsa, OK Title #8269892101 EA	Registration issued or renewed
12/07/2021		Faulkner BMW Lancaster Lancaster, PA 717-569-4269 faulknerbmw.com ★ 4.8 / 5.0 683 Verified Reviews ♥ 1,941 Customer Favorites	Vehicle serviced - Maintenance inspection completed - Brakes checked - Cabin air filter replaced/cleaned - Emissions inspection performed - Emissions or safety inspection performed - Oil and filter changed
12/07/2021	20,621	Inspection Station	Passed emissions inspection
09/13/2022	31,136	Mr. Tire Auto Service Centers Ephrata, PA 717-733-5400 mrtire.com ★ 4.7 / 5.0 45 Verified Reviews ♥ 1 Customer Favorite	Vehicle serviced - Maintenance inspection completed - Recommended maintenance performed - Oil and filter changed - Tires rotated
11/14/2022		Pennsylvania Motor Vehicle Dept. Tulsa, OK Title #8269892101 EA	Registration issued or renewed
12/14/2022	34,607	Mr. Tire Auto Service Centers Ephrata, PA 717-733-5400 mrtire.com ★ 4.7 / 5.0 45 Verified Reviews ♥ 1 Customer Favorite	Vehicle serviced - Maintenance inspection completed - Recommended maintenance performed - Brakes checked - Brake pads replaced - Emissions inspection performed - Emissions or safety inspection performed
12/14/2022		Inspection Station	Passed emissions inspection

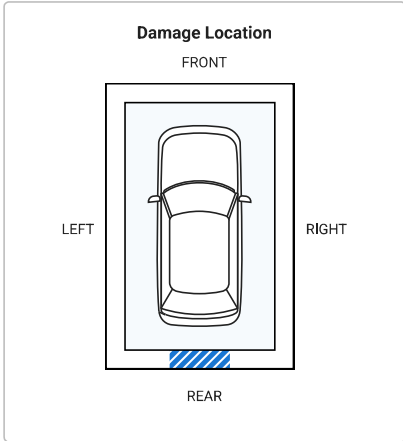
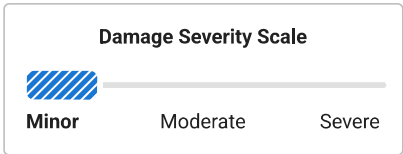
12/29/2022	35,244	Faulkner BMW Lancaster Lancaster, PA 717-569-4269 faulknerbmw.com ★ 4.8 / 5.0 683 Verified Reviews ♥ 1,941 Customer Favorites		Vehicle serviced - Maintenance inspection completed - Brakes checked - Oil and filter changed
12/05/2023	60,376	South Carolina Motor Vehicle Dept. Aiken, SC Title #772060455013633		Vehicle purchase reported - Registration issued or renewed - Registration updated when owner moved the vehicle to a new location
12/28/2023	61,180	Fleet/Lease Company		Vehicle sold
12/28/2023		South Carolina Motor Vehicle Dept. Aiken, SC Title #772060455013633		Title issued or updated - Registration updated when owner moved the vehicle to a new location
12/30/2023		Hudson Nissan of North Charleston North Charleston, SC 843-553-1000 hudsonnissannorthcharleston.com / ★ 4.5 / 5.0 1,514 Verified Reviews ♥ 2,480 Customer Favorites		Vehicle offered for sale
01/12/2024	61,288	Hudson Nissan of North Charleston North Charleston, SC 843-553-1000 hudsonnissannorthcharleston.com / ★ 4.5 / 5.0 1,514 Verified Reviews ♥ 2,480 Customer Favorites		Vehicle serviced - Air filter replaced - Brakes checked - Brake rotor(s) replaced - Cabin air filter replaced/cleaned - Oil and filter changed - Tire condition and pressure checked - Vibration checked - Vehicle washed/detailed
Looks like this dealer serviced the car in order to prepare it for sale. That's a good thing!				
02/14/2024		South Carolina Motor Vehicle Dept. Aiken, SC Title #770620458723090		Title issued or updated
02/29/2024	61,306	Hudson Nissan of North Charleston North Charleston, SC 843-553-1000 hudsonnissannorthcharleston.com / ★ 4.5 / 5.0 1,514 Verified Reviews ♥ 2,480 Customer Favorites		Vehicle sold
02/29/2024		South Carolina Motor Vehicle Dept.		Vehicle purchase reported
03/11/2024		South Carolina Motor Vehicle Dept. Summerville, SC Title #772010460333427		Registration issued or renewed
 Owner 2 Purchased: 2024				Personal Vehicle
Date	Mileage	Source	Comments	
03/17/2024		South Carolina Motor Vehicle Dept. Summerville, SC	Title issued or updated - New owner reported - Loan or lien reported	

Title #772010460333427

07/16/2024

Damage Report

Accident reported: minor damage
 - Vehicle involved in a rear-end collision
 - It hit a moveable object with another motor vehicle
 - Damage to rear
 - Functional damage reported
 - Airbags did not deploy



CARFAX HAS THE MOST ACCIDENT & DAMAGE INFORMATION

11/21/2024

Service Facility
 ★ 4.3 / 5.0 457 Verified Reviews



Inspection performed
 - Tire checked
 View the complete inspection report

03/24/2025

South Carolina
 Motor Vehicle Dept.
 Summerville, SC
 Title #772010460333427

Registration issued or renewed

05/26/2025

81,357

Athens Ford
 Athens, GA
 706-521-0778
 athensford.com
 ★ 4.6 / 5.0 1,095 Verified Reviews
 ❤️ 12,485 Customer Favorites

Vehicle offered for sale

06/10/2025

81,487

Athens Ford
 Athens, GA
 706-521-0778
 athensford.com
 ★ 4.6 / 5.0 1,095 Verified Reviews
 ❤️ 12,485 Customer Favorites



Vehicle serviced
 - Pre-delivery inspection completed
 - Brakes checked
 - Four tires balanced
 - Four tires mounted
 - Four tires replaced
 - Oil and filter changed

Looks like this dealer serviced the car in order to prepare it for sale. That's a good thing!

06/13/2025

81,991

Athens BMW
 Athens, GA
 706-549-5340
 athensbmw.com
 ★ 4.8 / 5.0 561 Verified Reviews
 ❤️ 5,498 Customer Favorites




Vehicle serviced
 - Maintenance inspection completed
 - Evaporative emissions vent purge valve replaced
 - Oil and filter changed

06/25/2025


South Carolina
 Motor Vehicle Dept.
 Summerville, SC

Title issued or updated
 - Loan or lien released

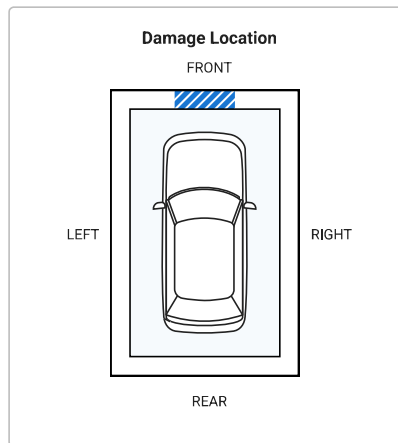
Title #772010460333427

07/04/2025		Frankfort Ford Lincoln Frankfort, KY 502-695-1990 frankfortford.com ★ 4.6 / 5.0 58 Verified Reviews ♥ 1,541 Customer Favorites		Vehicle offered for sale
07/07/2025		Athens Ford Athens, GA 706-521-0778 athensford.com ★ 4.6 / 5.0 1,095 Verified Reviews ♥ 12,485 Customer Favorites		Vehicle sold
07/07/2025		Auto Auction		Vehicle sold
07/09/2025	82,423	Gary Yeomans Ford Frankfort Frankfort, KY 502-803-2146 frankfortford.com ★ 4.6 / 5.0 58 Verified Reviews ♥ 1,541 Customer Favorites		Vehicle serviced - Pre-delivery inspection completed - Maintenance inspection completed - Brakes checked - Oil and filter changed

 **Owner 3** Personal Vehicle
Purchased: 2025


Date	Mileage	Source	Comments
09/02/2025	82,435	Kentucky Motor Vehicle Dept. Harrodsburg, KY Title #252450370047	Title or registration issued - New owner reported - Vehicle color noted as White
09/09/2025		Kentucky Motor Vehicle Dept. Frankfort, KY Title #252450370047	Title issued or updated - Vehicle color noted as White
09/23/2025		BMW of North America, LLC	Manufacturer Safety recall issued - NHTSA #25V-636 - Recall #25V-636:522 ENGINE STARTER - Status: Remedy Available Need more information about this recall? Find an authorized BMW dealer, email CustomerRelations@bmwusa.com, or call 1-800-525-7417  Learn more about this recall

05/15/2026 Damage Report  **TOTAL LOSS VEHICLE**
- Damage to front



CARFAX HAS THE MOST ACCIDENT & DAMAGE INFORMATION

There are many reasons an insurance company will declare a vehicle a total loss. Have this vehicle inspected by a qualified technician before you buy. [Learn More](#)

05/15/2026		Kentucky Motor Vehicle Dept.		Title or registration issued to insurance company
05/15/2026	103,206	Kentucky Motor Vehicle Dept. Louisville, KY Title #261340530032		SALVAGE TITLE/CERTIFICATE ISSUED - Vehicle color noted as White
05/19/2026		Auto Auction		Vehicle sold

Have Questions? Consumers, please visit our Help Center at www.carfax.com. Dealers or Subscribers, please visit our Help Center at www.carfaxonline.com.

CARFAX Glossary

Accident Indicator

CARFAX receives information about accidents in all 50 states, the District of Columbia and Canada.

Not every accident is reported to CARFAX. As details about the accident become available, those additional details are added to the CARFAX Vehicle History Report. CARFAX recommends that you have this vehicle inspected by a qualified mechanic.

- According to the National Safety Council, Injury Facts, 2021 edition, 5% of the 276 million registered vehicles in the U.S. were involved in an accident in 2019. Over 77% of these were considered minor or moderate.
- This CARFAX Vehicle History Report is based only on information supplied to CARFAX and available as of 5/22/26 at 4:12:07 AM (CDT). Other information about this vehicle, including problems, may not have been reported to CARFAX. Use this report as one important tool, along with a vehicle inspection and test drive, to make a better decision about your next used car.

Damage Indicator

Damage can be a result of many different types of events. Examples include contact with objects (other cars, trees, traffic signs, road debris, etc), vandalism, or weather-related events. Not every damage event is reported to CARFAX. As details about the damage event become available, those additional details are added to the CARFAX Vehicle History Report. CARFAX recommends that you have this vehicle inspected by a qualified mechanic.

- This CARFAX Vehicle History Report is based only on information supplied to CARFAX and available as of 5/22/26 at 4:12:07 AM (CDT). Other information about this vehicle, including problems, may not have been reported to CARFAX. Use this report as one important tool, along with a vehicle inspection and test drive, to make a better decision about your next used car.

Damage Severity

Damage events result in one of the following severity levels:

- Minor: Generally, minor damage is cosmetic (including dents or scratches), may only require reconditioning, and typically does not compromise a vehicle's operation and/or safety.
- Moderate: Moderate damage may affect multiple components of the vehicle and may impair the vehicle's operation and/or safety.
- Severe: Severe damage usually affects multiple components of the vehicle and is likely to compromise the vehicle's operation and/or safety.

CARFAX recommends getting a pre-purchase inspection at a certified collision repair facility.

First Owner

When the first owner(s) obtains a title from a Department of Motor Vehicles as proof of ownership.

Manufacturer Recall

Automobile manufacturers issue recall notices to inform vehicle owners of a safety defect or failure to meet minimum federal safety or emissions standards. Manufacturer recalls are repaired at no cost to the customer.

New Owner Reported

When a vehicle is sold to a new owner, the Title must be transferred to the new owner(s) at a Department of Motor Vehicles.

Ownership History

CARFAX defines an owner as an individual or business that possesses and uses a vehicle. Not all title transactions represent changes in ownership. To provide estimated number of owners, CARFAX proprietary technology analyzes all the events in a vehicle history. Estimated ownership is available for vehicles manufactured after 1991 and titled solely in the US including Puerto Rico. Dealers sometimes opt to take ownership of a vehicle and are required to in the following states: Maine, Massachusetts, New Jersey, Ohio, Oklahoma, Pennsylvania and South Dakota. Please consider this as you review a vehicle's estimated ownership history.

Rental

Vehicle was registered by a rental agency.

Salvage Title

A Salvage Title is issued on a vehicle damaged to the extent that the cost of repairing the vehicle exceeds approximately 75% of its pre-damage value. This damage threshold may vary by state. Some states treat Junk titles the same as Salvage but the majority use this title to indicate that a vehicle is not road worthy and cannot be titled again in that state. The following eleven states also use Salvage titles to identify stolen vehicles - AZ, FL, GA, IL, MD, MN, NJ, NM, NY, OK and OR.


Title Issued

A state issues a title to provide a vehicle owner with proof of ownership. Each title has a unique number. Each title or registration record on a CARFAX report does not necessarily indicate a change in ownership. In Canada, a registration and bill of sale are used as proof of ownership.

Total Loss Vehicle

An insurance or fleet company declares a vehicle a total loss when a claim exceeds approximately 75% of its pre-damage value or if the vehicle is stolen and not recovered. This damage threshold varies by company. These companies typically take possession and obtain the title. Not all total loss vehicles result in a

DMV-reported branded title. This may occur when an insurance company's definition of a total loss is different than the state DMV's definition for a branded title or when the owner of the vehicle is a self-insured company, like a fleet or rental company.

Follow Us:  facebook.com/CARFAX  [@CARFAXinc](https://twitter.com/CARFAXinc)  About CARFAX

CARFAX DEPENDS ON ITS SOURCES FOR THE ACCURACY AND RELIABILITY OF ITS INFORMATION. THEREFORE, NO RESPONSIBILITY IS ASSUMED BY CARFAX OR ITS AGENTS FOR ERRORS OR OMISSIONS IN THIS REPORT. CARFAX FURTHER EXPRESSLY DISCLAIMS ALL WARRANTIES, EXPRESS OR IMPLIED, INCLUDING ANY IMPLIED WARRANTIES OF MERCHANTABILITY OR FITNESS FOR A PARTICULAR PURPOSE.

© 2026 CARFAX, Inc., part of S&P Global. All rights reserved.
5/22/26 4:12:07 AM (CDT)

I have reviewed and received a copy of the CARFAX Vehicle History Report for this 2021 BMW X3 vehicle (VIN: 5UXTY5C06M9F13030), which is based on information supplied to CARFAX and available as of 5/22/26 at 5:12 AM (EDT).

Customer Signature

Date

Dealer Signature

Date